

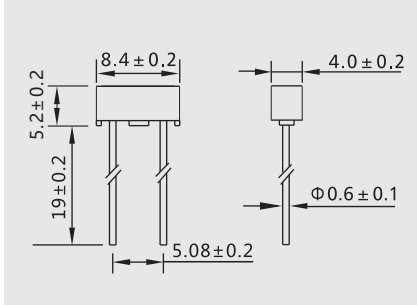
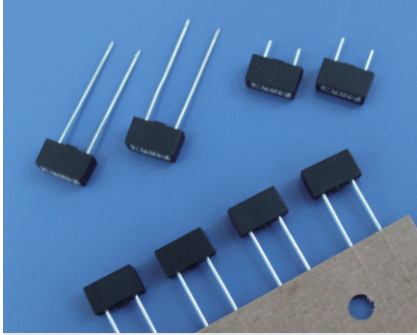


SQT RoHS Compliant

微型保险丝(延时型)



Micro Fuse (Time-Lag) 400V/300V/250V



测试标准:
Testing Standard:
 IEC60127-1 IEC60127-3 GB/T9364.1 GB/T9364.3

额定分断能力:
Interrupting Rating:
 35A or 10In Whichever is greater

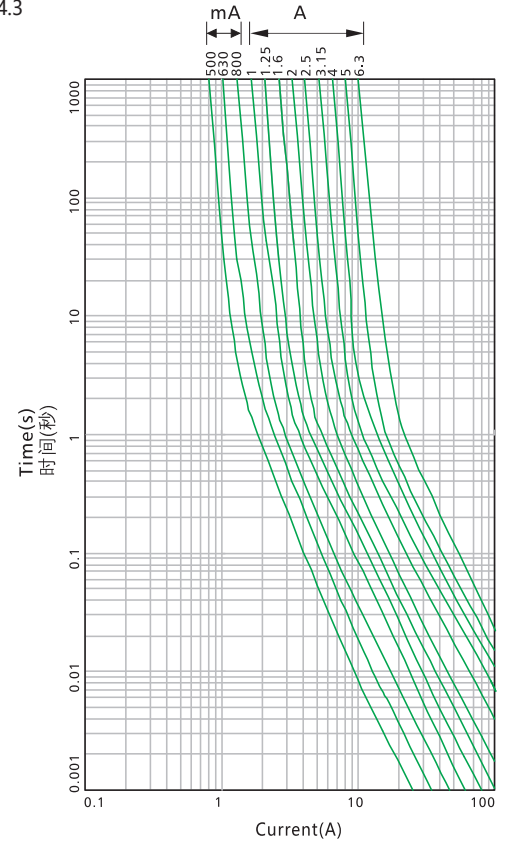
工作温度:
Operating Temperature:
 -55°C ~ +125°C

材料:
Materials:
 Case:thermoplastic nylon
 Base:thermoplastic nylon
 Lead wire:tinned copper wire

焊接方法:
Soldering Method:
 Wave soldering: 260°C, 10s max
 Manual soldering: 370°C, 5s max

包装:
Packing:
 Automaton taped 1000 PCS per inner box,
 10 inner boxes per external carton.

Time-Current Characteristics
电流-时间曲线图



电气特性: Electrical Characteristics

额定电流的% % of Ampere Rating	熔断时间 Opening Time (100mA~6.3A)	熔断时间 Opening Time (8A~10A)
210%	2 min Max(小于2分钟)	5 min Max(小于5分钟)
275%	400 ms~10 s	1 s~20 s
400%	150 ms~3 s	150 ms~3 s
1000%	20 ms~150 ms	20 ms~150 ms

目录编号: Catalog No.T:400V G:300V A:250V

目录编号 Catalog No.	额定电流 Ampere Rating	额定电压 Voltage Rating	最大电压降(mv) Max Voltage Drop	熔化热能 ² Melting Integral (A ² .S)	认证 Approvals							
					UL US	VDE	VDE	CCC	S	JET	其他	
SQT0100T/G/A	100mA	400V/300V/250V	350	0.06	●							
SQT0125T/G/A	125mA	400V/300V/250V	300	0.08	●	○		○	○			
SQT0160T/G/A	160mA	400V/300V/250V	280	0.1	●	○		○	○			
SQT0200T/G/A	200mA	400V/300V/250V	260	0.2	●	○		○	○			
SQT0250T/G/A	250mA	400V/300V/250V	240	0.3	●	○		○	○			
SQT0400T/G/A	400mA	400V/300V/250V	200	0.5	●	○		○	○			
SQT0500T/G/A	500mA	400V/300V/250V	190	0.9	●	○		○	○			○
SQT0630T/G/A	630mA	400V/300V/250V	180	1.2	●	○		○	○			○
SQT0800T/G/A	800mA	400V/300V/250V	160	3.2	●	○		○	○			○
SQT1100T/G/A	1A	400V/300V/250V	140	5.8	●	○		○	○	○		○
SQT1125T/G/A	1.25A	400V/300V/250V	130	12.8	●	○		○	○	○		○
SQT1160T/G/A	1.6A	400V/300V/250V	120	14.5	●	○		○	○	○		○
SQT1200T/G/A	2A	400V/300V/250V	100	36.0	●	○		○	○	○		○
SQT1250T/G/A	2.5A	400V/300V/250V	100	42.6	●	○		○	○	○		○
SQT1315T/G/A	3.15A	400V/300V/250V	100	89.0	●	○		○	○	○		○
SQT1400T/G/A	4A	400V/300V/250V	100	95.0	●	○		○	○	○		○
SQT1500T/G/A	5A	400V/300V/250V	100	148	●		○	○	○	○		○
SQT1630T/G/A	6.3A	400V/300V/250V	100	195	●		○	○	○	○		○
SQT1800T/G/A	8A	400V/300V/250V	80	215	●		○	○	○	○		○
SQT2100T/G/A	10A	400V/300V/250V	75	250	●		○	○	○	○		○
SQT2120T/G/A	12A	400V/300V/250V	-	272	●						○	
SQT2150T/G/A	15A	400V/300V/250V	-	300	●						○	

● 表示已获认证
 ○ 表示认证中