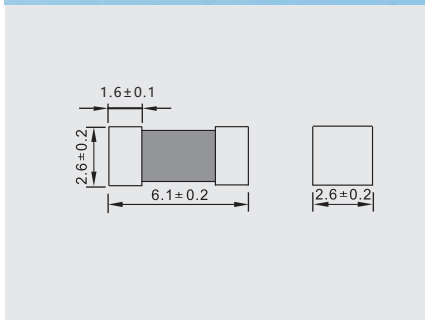
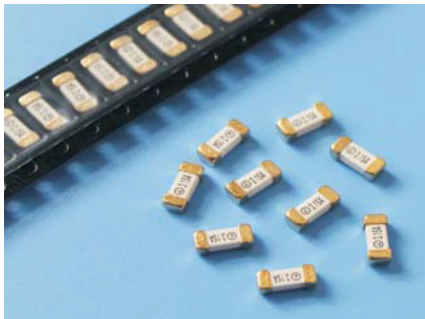




24F RoHS Compliant

贴片保险丝(快断型) cFUS[®] SMD Fuse (Fast-Acting) 250V/125V



测试标准:
Testing Standard:
UL248-1 UL248-14

额定分断能力:
Interrupting Rating:
50 Amperes at 250V AC(100mA~7A)
50 Amperes at 125V AC/DC(100mA~7A)

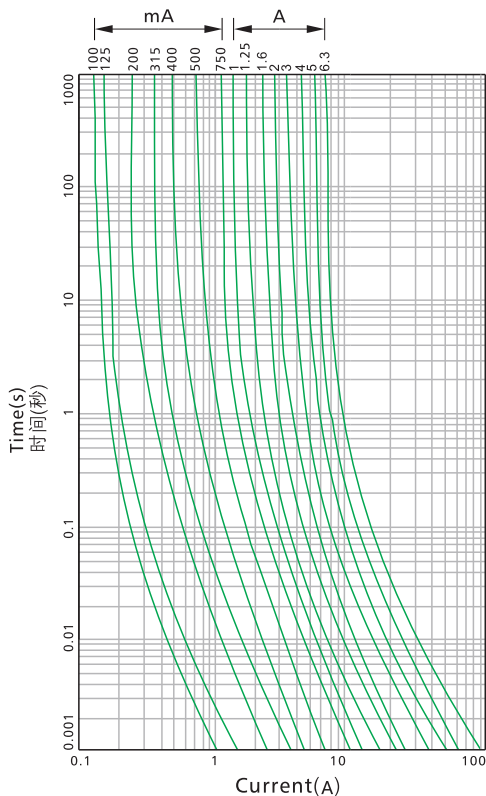
工作温度:
Operating Temperature:
-55°C ~ +125°C

材料:
Materials:
End cap:gold plated brass
Ceramic tube:ceramic

焊接方法:
Soldering Method:
Reflow soldering: 260°C, 10s max

包装:
Packaging:
Automaton taped 1000 PCS per rell,
30000PCS per carton

Time-Current Characteristics
电流-时间曲线图



电气特性: Electrical Characteristics

| 额定电流的% % of Ampere Rating | 熔断时间 Opening Time |
|---------------------------|---------------------|
| 100% | 4 hours Min (大于4小时) |
| 200% | 5 s Max (小于5秒) |

目录编号: Catalog No.A:250V B:125V

| 目录编号 Catalog No. | 额定电流 Ampere Rating | 额定电压 Voltage Rating | 熔化热能 ² Melting Integral (A ² .S) | 认证 Approvals |
|---------------------|-----------------------|------------------------|---|---------------------|
| | | | | ● 表示已获认证 ● 表示认证中 |
| 24F0125A/B | 125mA | 250V/125V | 0.06 | ● |
| 24F0160A/B | 160mA | 250V/125V | 0.08 | ● |
| 24F0200A/B | 200mA | 250V/125V | 0.09 | ● |
| 24F0250A/B | 250mA | 250V/125V | 0.11 | ● |
| 24F0315A/B | 315mA | 250V/125V | 0.14 | ● |
| 24F0400A/B | 400mA | 250V/125V | 0.26 | ● |
| 24F0500A/B | 500mA | 250V/125V | 0.5 | ● |
| 24F0630A/B | 630mA | 250V/125V | 0.8 | ● |
| 24F0750A/B | 750mA | 250V/125V | 1.3 | ● |
| 24F0800A/B | 800mA | 250V/125V | 1.5 | ● |
| 24F1100A/B | 1A | 250V/125V | 2.3 | ● |
| 24F1125A/B | 1.25A | 250V/125V | 3.2 | ● |
| 24F1150A/B | 1.5A | 250V/125V | 5.6 | ● |
| 24F1160A/B | 1.6A | 250V/125V | 5.9 | ● |
| 24F1200A/B | 2A | 250V/125V | 7.8 | ● |
| 24F1250A/B | 2.5A | 250V/125V | 10 | ● |
| 24F1300A/B | 3A | 250V/125V | 22 | ● |
| 24F1315A/B | 3.15A | 250V/125V | 23 | ● |
| 24F1350A/B | 3.5A | 250V/125V | 26 | ● |
| 24F1400A/B | 4A | 250V/125V | 39 | ● |
| 24F1500A/B | 5A | 250V/125V | 58 | ● |
| 24F1600A/B | 6A | 250V/125V | 95 | ● |
| 24F1630A/B | 6.3A | 250V/125V | 110 | ● |
| 24F1700A/B | 7A | 250V/125V | 120 | ● |